

High-precision Low Voltage Detector

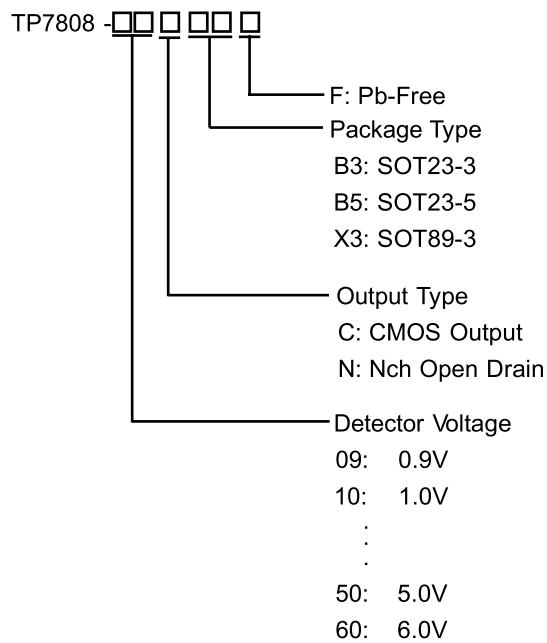
DESCRIPTION

The TP7808 is a series of high precision voltage detector with ultra low current consumption (500nA typ. at Vdd=3.0V). It can work at very low voltage, which makes it perfect for system reset.

The TP7808 is composed of high precision voltage reference, comparator, output driver and resistor array. Internally preset detect voltage has a low temperature drift and requires no external trimming.

Two type of output, CMOS and N-channel open-drain are available. TP7808 is available in SOT-89-3, SOT-23-3, SOT23-5 packages which is Pb free.

Ordering Information



Marking Information

For marking information, contact our sales representative directly or through a TPmicro distributor located in your area.

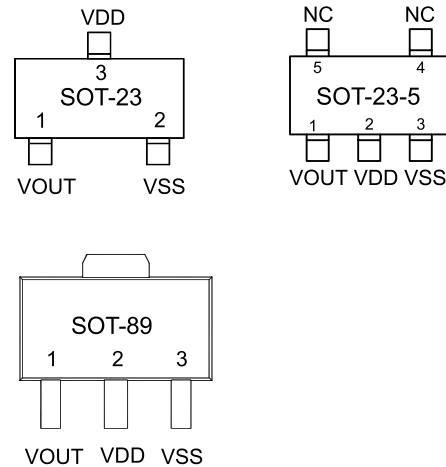
FEATURE

- High-precision detection Voltage 2%
- Detection Voltage 0.9V~6.0V (in 0.1V steps)
- Precise hysteresis 4% typ.
- Operating Voltage range 0.7V~10V
- Ultra-low current consumption 500nA typ. (at VDD 3.0V)
- Two Output forms CMOS and N-channel open-drain

APPLICATION

- Power monitor for portable equipment such as
- PDA, DSC, Mobile phone, Notebook, MP3
- CPU and Logic Circuit Reset
- Battery Checker
- Battery Back-up Circuit
- Power Failure Detector

Pin Configurations



Pin Description

Pin Number			Pin	Function
SOT89	SOT23	SOT25		
1	1	1	Vout	Voltage Detection output Pin
2	3	2	VDD	Voltage input pin
3	2	3	VSS	GND pin
		4,5	NC	No Connection