

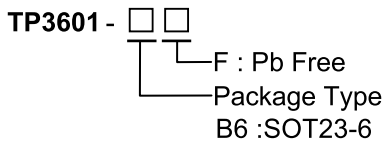
# 3A Larger Switch Current Boost DC/DC Regulator

## General Description

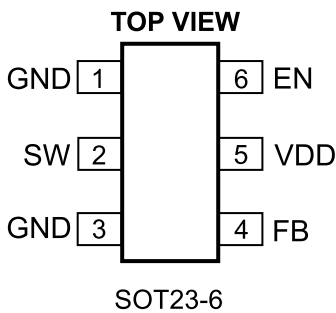
The TP3601 is a compact, high efficiency, and low voltage step-up DC/DC converter including an error amplifier, ramp generator, comparator, switch pass element and driver in which providing a stable and high efficient operation over a wide range of load currents. It operates in stable waveforms without external compensation.

The low start-up input voltage below 1.2V works ,TP3601 suitable for 2 to 4 battery cells applications of providing up to 1.5A output current. The high switching rate minimized the size of external components. Besides, The output voltage is set with two external resistors.

## Ordering Information



## Pin Configurations



## Functional Pin Description

Pin NO.	Pin Name	Function
1	GND	Ground.
2	SW	Switch pin.
3	GND	Ground.
4	FB	Feedback.
5	VDD	Power pin.
6	EN	Enable pin.

## Features

- 1.25V Start-up Input Voltage
- Internal MOSFET with high switch current up to 3A
- Output up to 1.5A
- Zero Shutdown Mode Supply Current
- 94% Efficiency
- Up to 450KHz Switching Frequency
- Small SOT23-6 Package

## Applications

- AIK. Battery Products
- Li-ion Battery Products
- Host/OTG 5V output
- HDMI Power Supply

## Marking Information

For marking information, contact our sales representative directly or through a TPmicro distributor located in your area.

## Typical Application Circuit

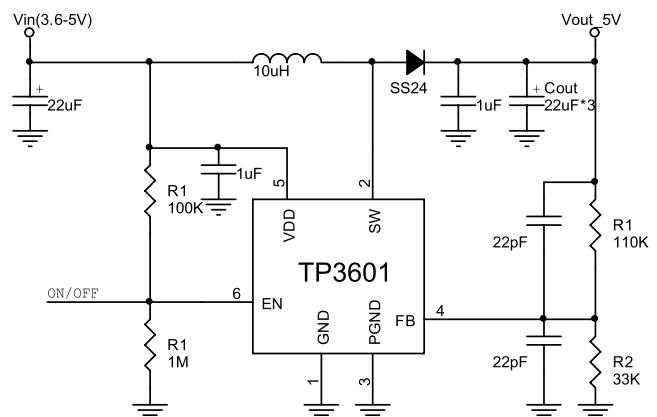


Figure1. TP3601 Output 5V with Li-ion Battery